



Yuasa Technical Data Sheet

Yuasa YT7B-BS - Maintenance Free Battery

Performance

Voltage	12V
Capacity (10-hour)	6.5Ah
Capacity (20-hour)	6.8Ah
CCA @ -18°C	110A

Dimensions (±2mm)

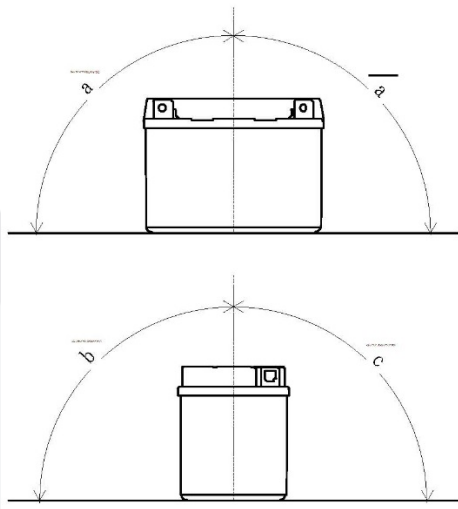
Length	150mm
Width	65mm
Height	93mm

Weights & Measures

Mean Weight with Acid	2.7kg
Acid Volume	0.31l

Mounting Angle

Angle A	30°
Angle B	20°
Angle C	20°

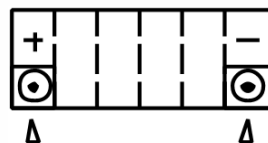


Technology

Technology
Separator

Cast Ca/Ca
AGM

Cell Assembly Layout



Terminal Type - 11



Data Sheet generated on 03/03/2017 - E&OE