



Yuasa Technical Data Sheet

Yuasa YTZ12S - High Performance Maintenance Free Battery

Performance

Voltage	12V
Capacity (10-hour)	11Ah
Capacity (20-hour)	11.6Ah
CCA @ -18°C	210A

Dimensions (±2mm)

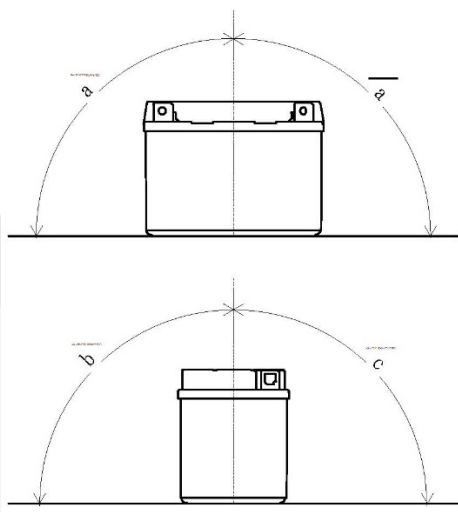
Length	150mm
Width	87mm
Height	110mm

Weights & Measures

Mean Weight with Acid	3.7kg
-----------------------	-------

Mounting Angle

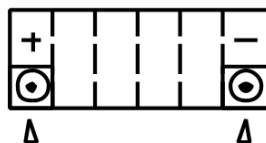
Angle A	40°
Angle B	90°
Angle C	15°



Technology

Technology	Exp Ca/Ca
Separator	AGM

Cell Assembly Layout



Terminal Type - 11



Data Sheet generated on 02/03/2017 - E&OE